



EnergyLED

6F.,NO.542-4,Zhongzheng Rd ., Xindian Dist.,
,New Taipei City 231,Taiwan (R.O.C)
TEL : 886-2-7729-0589
FAX : 886-2-7729-1871
<http://www.energyled.com.tw>

SPECIFICATION

PART NO. : LWSSTH12B073

LED PANEL LIGHT

LED 平板燈



Approved by

Checked by

Prepared by

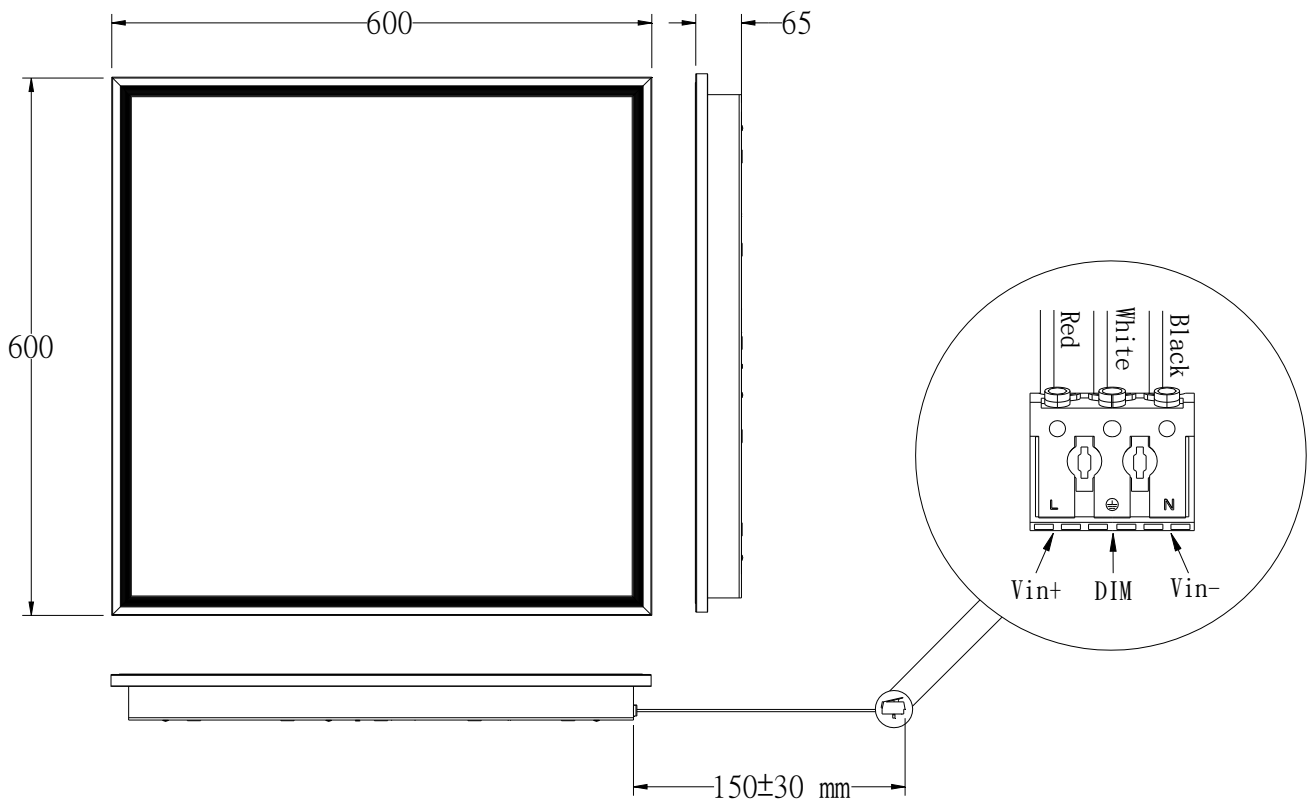
Yang

Mark

Sean



Dimensions(尺寸):



1. All dimensions are in millimeters.(所有標示尺寸之單位為毫米)
2. Tolerance is ± 2 mm unless otherwise noted.(未標示尺寸之公差值,均為 ± 2 毫米)

**Absolute Maximum Ratings(最大值標示):**

Parameter	Symbol	Rating	Unit
Input Voltage Range(輸入電壓範圍)	Vdc	360 - 400	V
Operating Temperature Range(操作溫度範圍)	Topr.	-5 to +40	°C
Storage Temperature Range(儲存溫度範圍)	Tstg.	-20 to +60	°C

Description(相關型號內容說明)

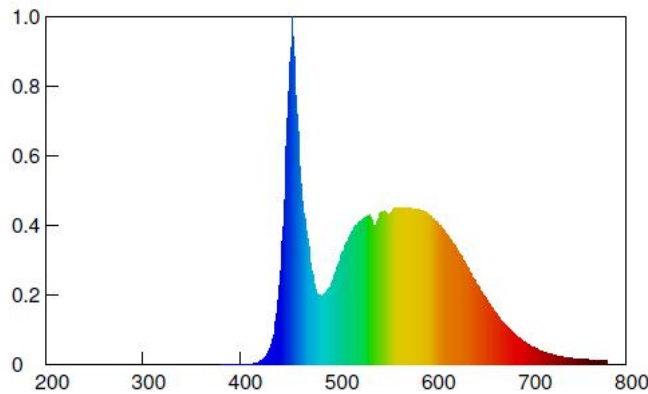
Part No.(型號)	Emitting Color(發光顏色)	CCT(色溫)
LWSSTH12B073	Day White	4000K

Electrical and Optical Characteristics: (光電特性表)

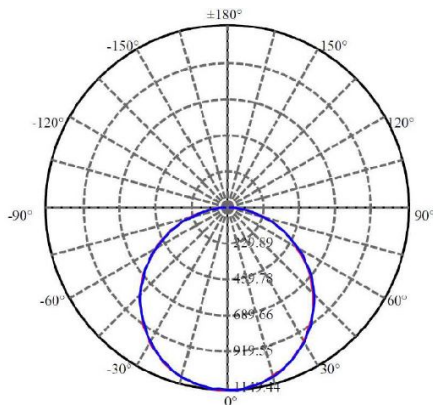
Item	Symbol	Condition	Min.	Typ.	Max.	Unit
Luminaire Efficacy(發光效率)	η	380 VDC	--	150	-	lm/w
Luminous Flux(光通量)	Φ_v		4000	5000	-	lm
Correlated Color Temperature(色溫)	CCT		3700	4000	4300	K
Color Index (演色性指數)	%		80	-	-	Ra
Viewing Angle (發光角度)	$\Delta\theta$		-	110°	-	Deg
Power Consumption (消耗功率)	P _D				33.0	



Spectroradiometric Parameters (光譜曲線圖) :

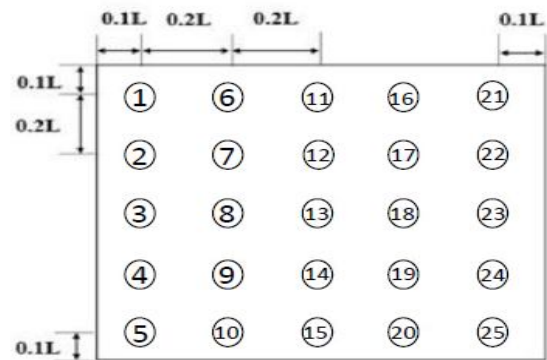


Light Distribution Curve(發光角度圖)

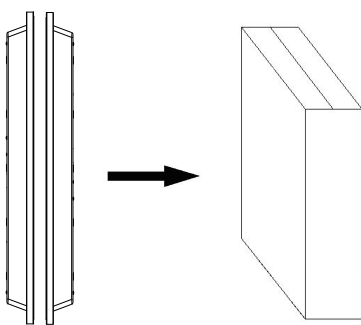


Luminance uniformity(輝度均度)

$$\frac{\text{MIN cd/m}^2}{\text{AVG cd/m}^2} \times 100\%$$



Encased Type & label information (包裝與標籤內容):



外箱標籤

本體標籤

Item P/N.	Quantity	L(mm)	W(mm)	H(mm)	N.W(Kg)	G.W(Kg)
LWSSTH12B073	2 PCS	636	135	642	4.7	5.1