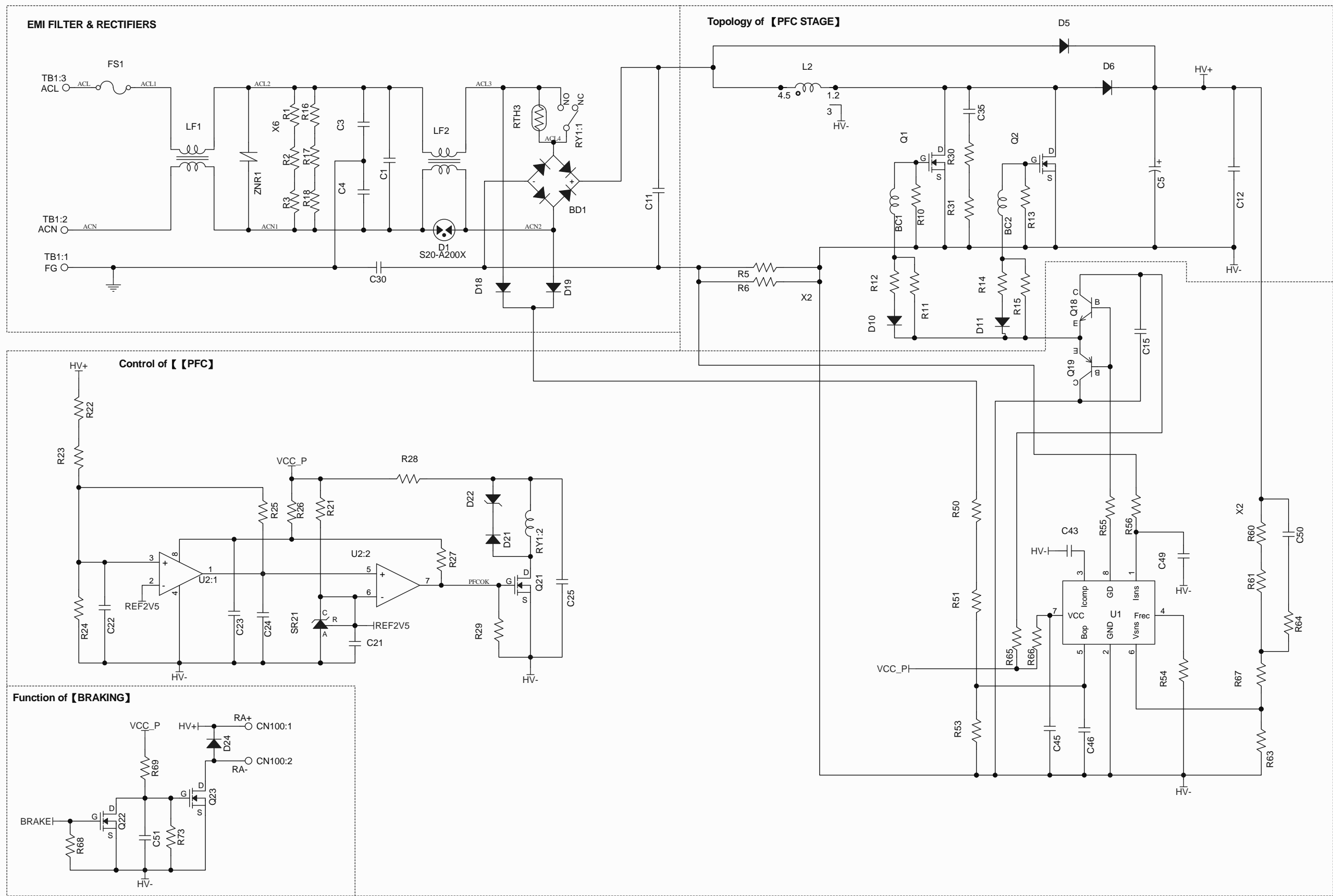


# BLDC-300RA



編碼1-100

|                |     |     |      |
|----------------|-----|-----|------|
| SMD Resistance | R/C | 5%  | 0603 |
| SMD Cap.       | X7R | 10% | 0603 |

| ECN. CORE | DATE | DESCRIPTION |
|-----------|------|-------------|
|           |      |             |
|           |      |             |
|           |      |             |



|                                 |                    |      |            |
|---------------------------------|--------------------|------|------------|
| SUBJECT                         | BLDC-300R          |      |            |
| REVISION                        | RX                 | DATE | 2020/02/04 |
| FILENAME                        | BLDC-300R-1.SchDoc |      |            |
| MEAN WELL ENTERPRISES CO., LTD. | Sheet              | 1    | of 2       |

A

B

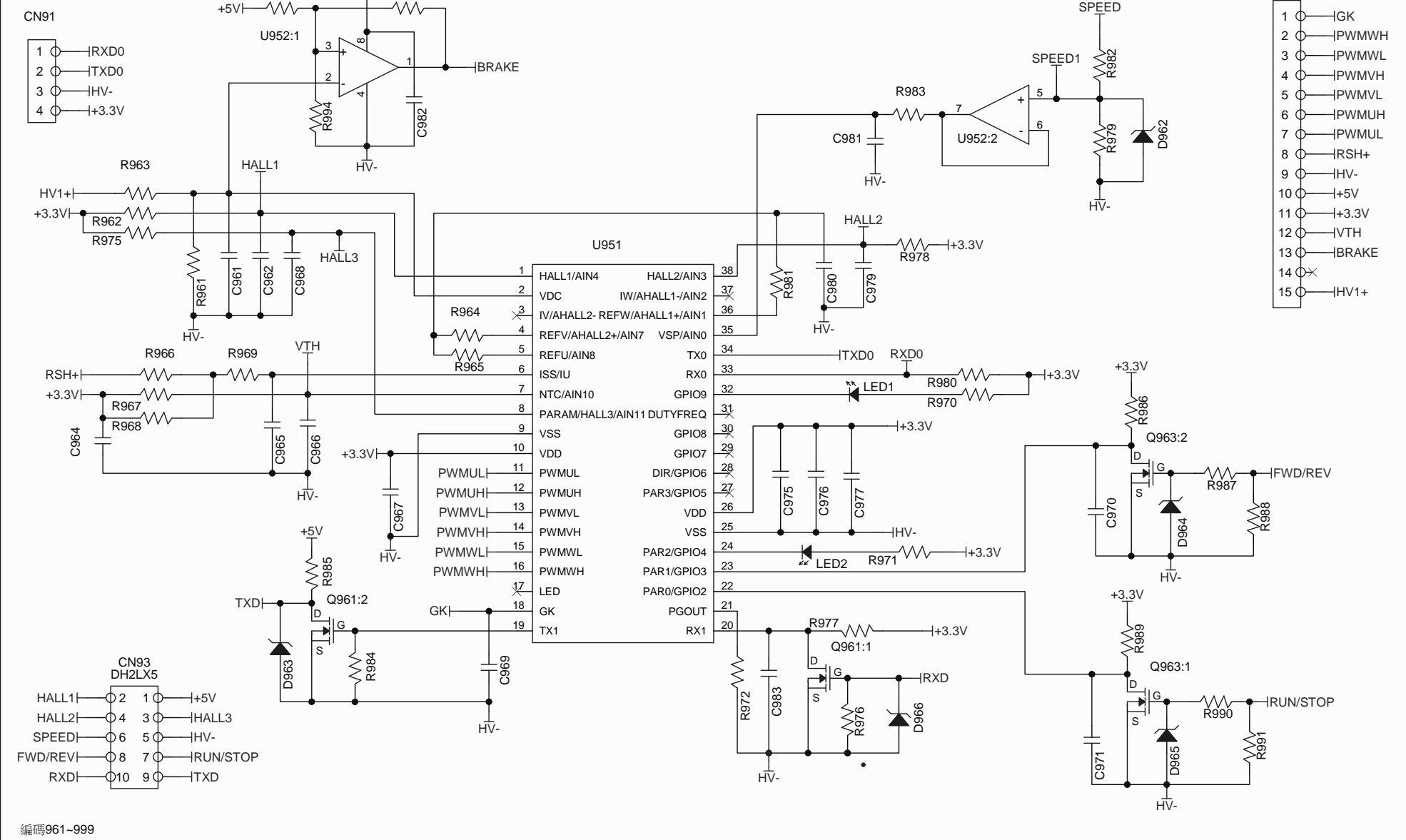
C

D

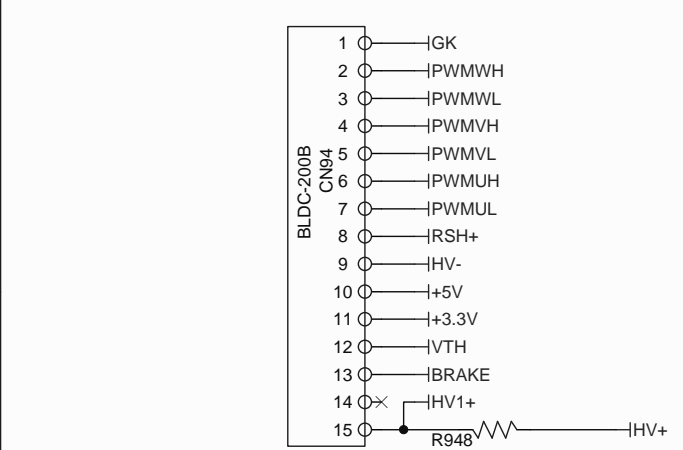
E

F

# BLDC-300RB



編碼961-999

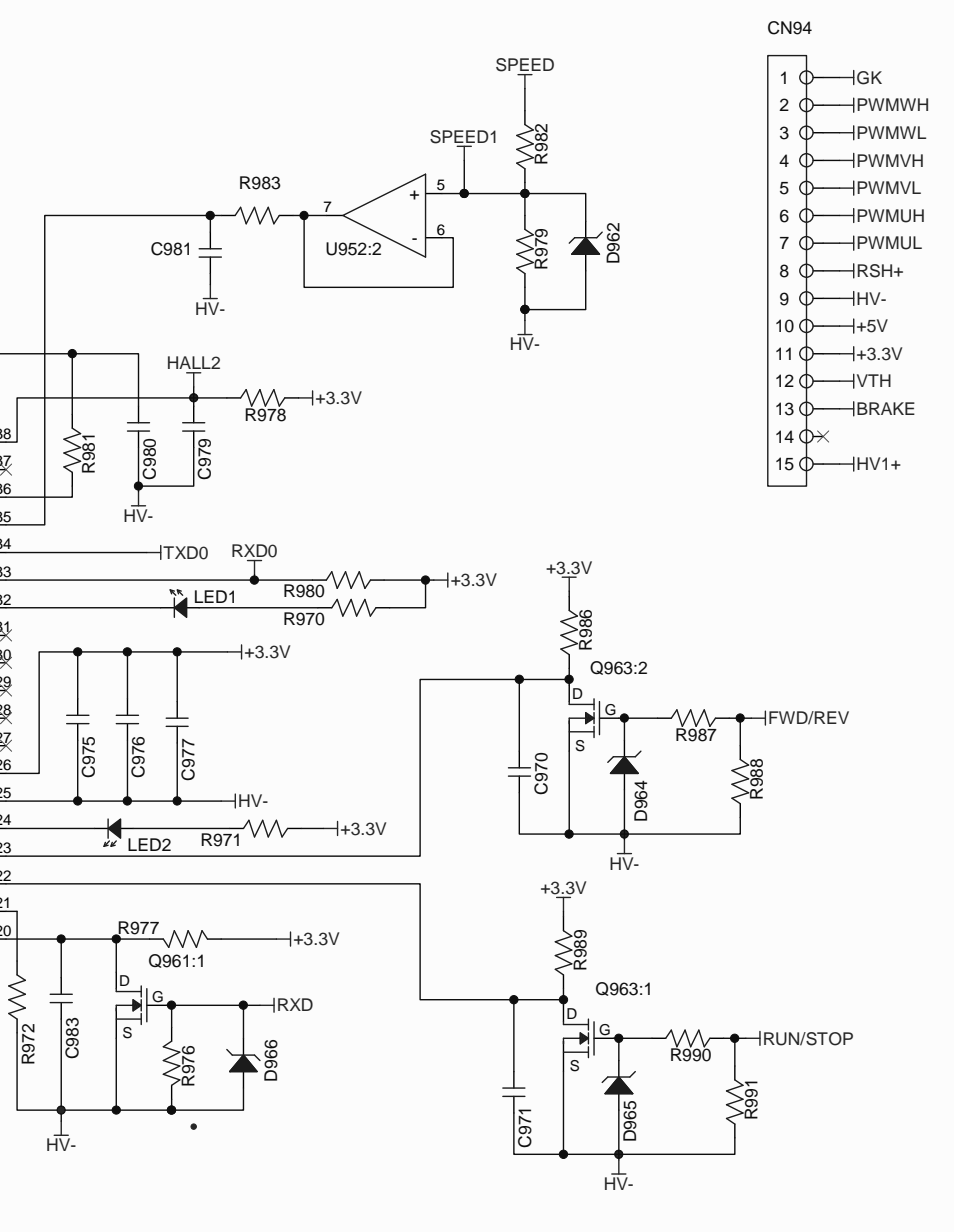


編碼901-949

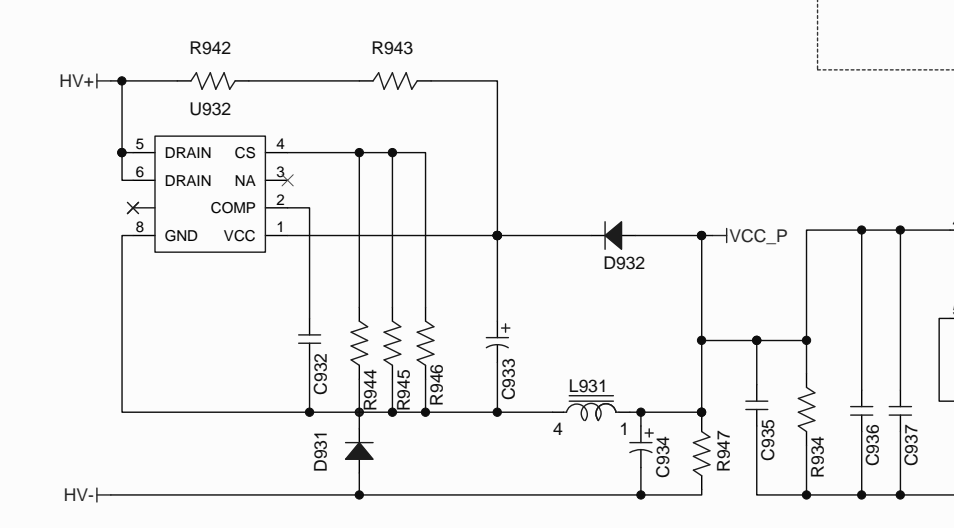
|                |     |     |      |
|----------------|-----|-----|------|
| SMD Resistance | R/C | 5%  | 0603 |
| SMD Cap.       | X7R | 10% | 0603 |

| ECN. CORE | DATE | DESCRIPTION |
|-----------|------|-------------|
|           |      |             |
|           |      |             |
|           |      |             |

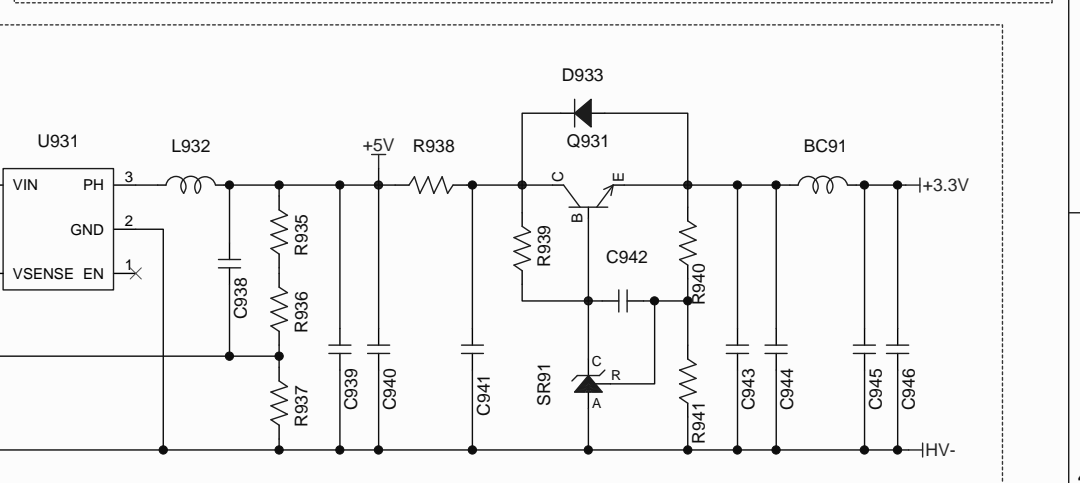
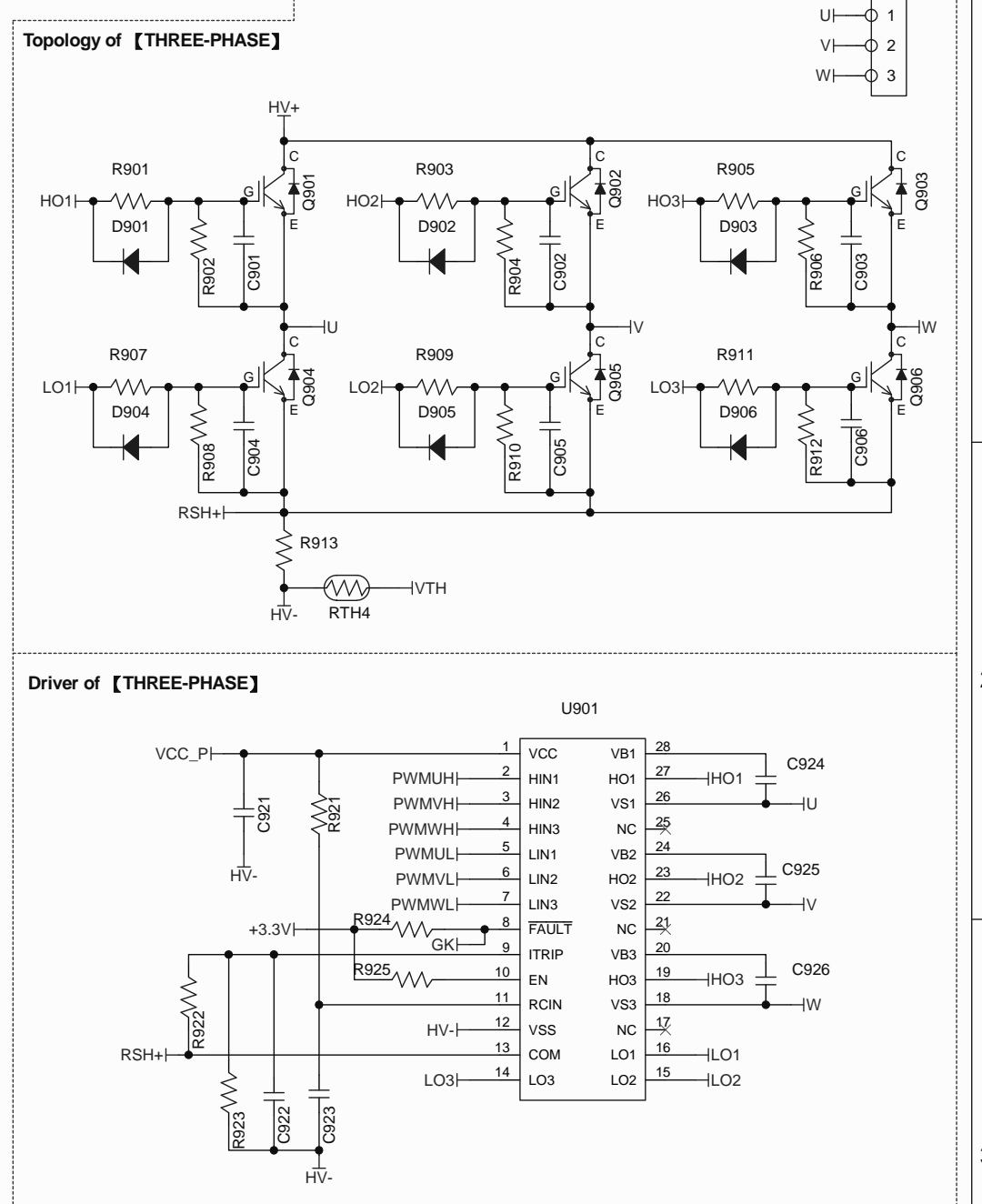
## Control of [MOTOR]



## Power of [PRIMARY VCC]



# BLDC-300RA



| ECN. CORE | DATE | DESCRIPTION |
|-----------|------|-------------|
|           |      |             |
|           |      |             |
|           |      |             |



|                                 |                    |      |            |
|---------------------------------|--------------------|------|------------|
| SUBJECT                         | BLDC-300R          |      |            |
| REVISION                        | RX                 | DATE | 2021/01/22 |
| FILENAME                        | BLDC-300R-2.SchDoc |      |            |
| MEAN WELL ENTERPRISES CO., LTD. | Sheet              | 2    | of 2       |